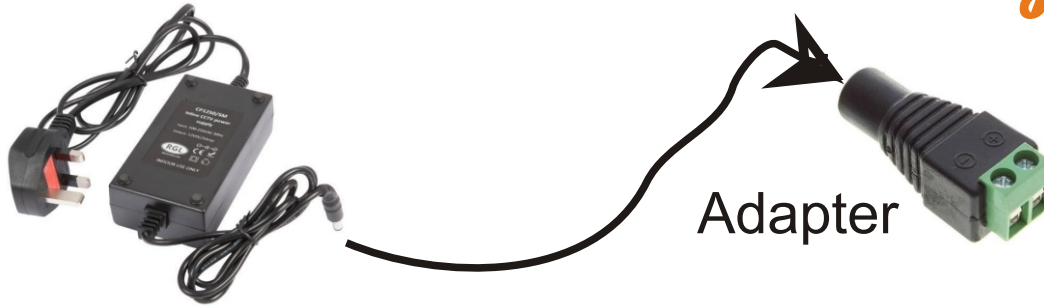


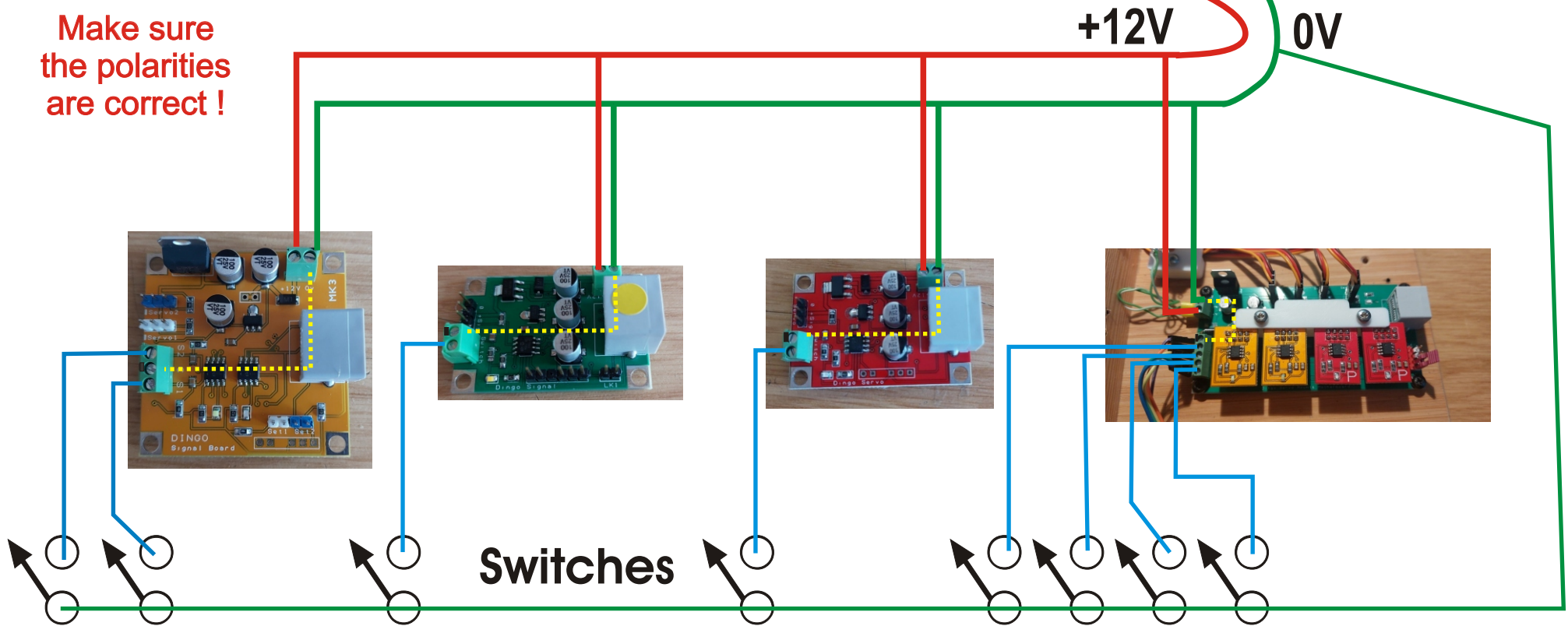
12V DC Power supply

Dingo Servo Mounts

Wiring Multiple PCB's



Make sure the polarities are correct !



Note: It is not necessary to wire a 0V return to the boards as the "Black" marked terminals are all at 0V and are internally connected on the board (The Yellow dotted line on the diagram symbolises this internal connection and you don't have to make this externally)
A common 0V line can be wired to all switches with just one operating wire to each PCB going into the "green terminal (not marked black)
Make sure that you do not invert polarities on any switch wire or it will not operate properly.